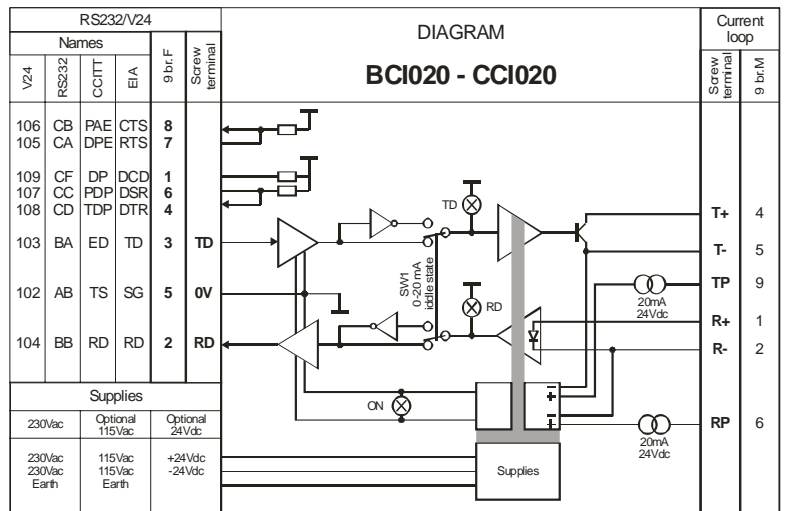


Interface conversion and insulation

RS232 in current loop 0-20mA



APPLICATIONS

- Multipoint network,
- Interface Insulation,
- Remote offset,
- Interface adaptation.

CONNECTIONS

- RS232 : SUB.D 9 female connector,
- Current Loop : SUB.D 9 male connector,
- Power supply : with cable (2,5 m)

INTERFACE RS232

- Transmitted signals : TD, RD,
- Connection SUB-D 9 pin idem PC,
- RTS looped to CTS and polarized to +V
- DSR looped to DTR and polarized to +V
- Signal DCD polarized to +V
- RS232 connection length : 15 to 20 m max

CURRENT LOOP INTERFACE

- Switched 20mA current type interface
- 20mA in loop in idle state
- Optional 0mA in idle state
- 24Vdc voltage supply loop
- Up to 10 stations in a loop
- Connection length up to 1km (0,6 mile) at 19.2 Kbps

FEATURE

- Signalization : TD, RD and supply
- Insulation RS232/CL : 1500Vrms
- Insulation : 500Vdc if power 24Vdc
- Ratio of distortion < 10 % at 19,2 Kbps
- compact housing
- Color : black
- Dimensions : 178 x 132 x 36mm,
- Weight : 1Kg,
- Power supply : 230Vac +10, -15 %, 50/60 Hz
- Supply options : 110Vac
- Power dissipation : 2VA
- Ambient temperature : -10°C to +55°C,
- Storage temperature: -25°C to +70°C,
- Humidity : 5 to 95 % without condensation.

CHOICE OF CONFIGURATION

- Standard : 20mA in idle state
- Possibility : 0mA in idle state

ORDER REFERENCES

Table case :

- BCI020 : 230Vac
- BCI020-110 : 110Vac

RCI014 rack cards :

- CCI020 : 230Vac
- CCI020-C : 24Vdc $\pm 10\%$
- CCI020-110 : 110Vac

OTHER REFERENCES

DIN rail case :

- CPN020

Our products can be modified and adapted to a particular need

**DO NOT HESITATE
GIVE US YOUR NEEDS**

CYBERSYS
La maîtrise de l'électronique
au service de l'informatique industrielle

