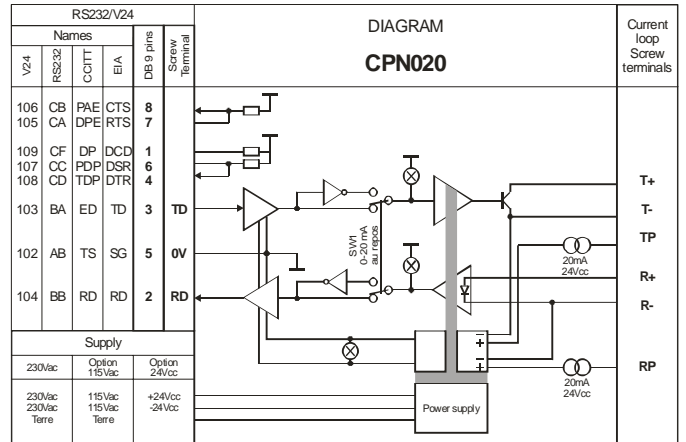


Interface conversion and insulation

RS232 in current loop on DIN rail



APPLICATIONS

- Multipoint network
- Interfaces insulation
- Remote offset
- Interfaces adaptation

CONNECTIONS

- RS232 : screw terminals or SUB-D 9 female contacts
- Current Loop on screw terminals
- Power supply on screw terminals

RS232 INTERFACE

- Transmitted signals : transmit data and receive data (TD, RD)
- Connection SUB-D 9 pin idem PC
- RTS looped to CTS and polarized to +V
- DSR looped to DTR and polarized to +V
- Signal DCD polarized to +V
- RS232 connection length : 15 to 20 m max

CURRENT LOOP INTERFACE

- Switched 20mA current type interface
- 20mA in loop in idle state
- Optional 0mA in idle state
- 24Vdc voltage supply loop
- Up to 10 stations in a loop
- Connection length up to 1 km (0,6 mile) at 19.2 Kbps

FEATURE

- Signalization : TD, RD and supply
- Insulation RS232/CL : 1500Vrms
- Insulation : 500Vdc if power 24Vdc
- Ratio of distortion < 10 % at 19,2 Kbps
- Housing : plastic UL94V0 box for DIN rail
- Dimensions : 80 X 40 X 75 mm,
- Weight : 250g,
- Power supply : 230Vac +10, -15 %, 50/60 Hz
- Supply options : 115Vac or 24Vdc
- Power dissipation : 2VA
- Ambient temperature : -10°C to +55°C
- Temperature storage : -25°C to +70°C
- Humidity : 5 to 95 % without condensation

CHOICE - CONFIGURATION

- Standard : 20mA in idle state
- Possibility : 0mA in idle state

ORDER REFERENCES

DIN rail case :

- CPN020 : 230Vac
- CPN020-110 : 115Vac
- CPN020-C : 24Vdc ±10%

OTHER REFERENCES

Table case :

- BCI020

RCI014 rack cards :

- CCI020

Our products can be modified and adapted to a particular need

**DO NOT HESITATE
GIVE US YOUR NEEDS**

CYBERSYS
La maîtrise de l'électronique
au service de l'informatique industrielle



35 chemin du Vieux Chêne – Inovalée – 38240 MEYLAN (France)
Téléphone : (33) 4 76 62 34 96 – Télécopie : (33) 4 76 62 34 95 – Site Internet : www.cybersys.fr

SAS au capital de 275 600 € – R.C. 328 221 742 – Code NAF 322 A