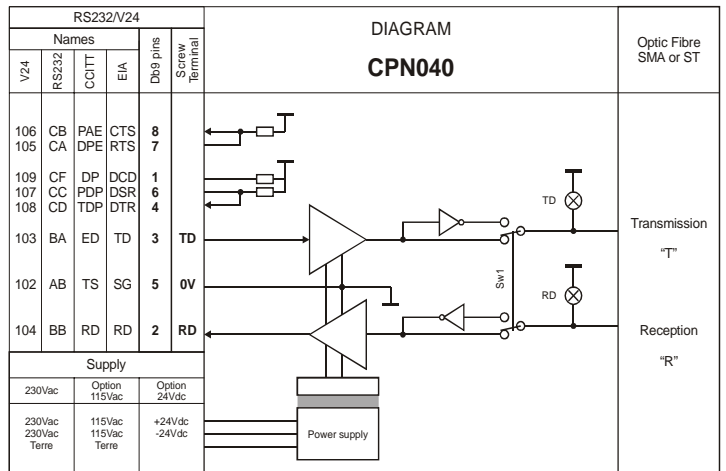


Interface conversion and insulation

RS232 to optical fibre on DIN rail



APPLICATIONS

- Data transmission in a noisy environment
- Interface Insulation
- Remote equipment
- Interface adaptation

CONNECTIONS

- RS232 :
 - connector SUB D 9 pin femelle,
 - connector block 3 pts TD, RD, 0V,
- Connector OF : SMA (ST in option),
- Power supply : connector block (2,5 mm² AWG 12 max, length stripping = 8 mm)

RS232 INTERFACE

- Transmitted signals : transmit data and receive data (TD, RD)
- Connection SUB-D 9 pin idem PC
- RTS looped to CTS and polarized to +V
- DSR looped to DTR and polarized to +V
- Signal DCD polarized to +V
- RS232 connection length : 15 to 20 m max

OPTICAL FIBRE INTERFACE

- Used fibre : 50/125 or 62,5/125 µm
- Emitted wavelength : 820 nm
- Minimum optical power emitted to 25°C on 62,5/125 µm fibre : -17,5 dbm
- Minimum optical power guaranteeing a logical state low (enlightened fibre) : -25,4 dbm
- Minimum range :
 - 1,5 km with a cable of attenuation 5 dbm/km
 - 2,6 km with a cable of attenuation 3 dbm/km

FEATURE

- Visualization TD, RD, tension presence
- Output : up to 57600 bauds
- Housing : compact box for rail DIN
- Dimensions : H = 80, L = 40, D = 75 mm
- Weight : 250 g
- Power supply : 230Vac +10, -15 %, 50/60 Hz
- Supply options : 110Vac or 24Vdc
- Ambient temperature : -10°C to +55°C
- Storage temperature: -25°C to +70°C
- Humidity : 5 to 95 % without condensation

CHOICE - CONFIGURATION

- Standard : fibres unlighted in iddle state
- Possibility : fibres lighted in iddle state

ORDERS REFERENCE

Rail DIN case:

- CPN040 : 230Vac, "SMA"
- CPN040-S : 230Vac, "ST"
- CPN 040-C : 24Vdc ±10%, "SMA"
- CPN040-SC : 24Vdc ±10%, "ST"
- CPN040-110 : 110Vac, "SMA"
- CPN040-S110 : 110Vac, "ST"

OTHER REFERENCES

Table case

- BCI040

RCI014 rack card:

- CCI040

Our products can be modify and adaptable for a particular need

**DO NOT HESITATE
GIVE US YOUR NEEDS**

CYBERSYS
La maîtrise de l'électronique
au service de l'informatique industrielle



35 chemin du Vieux Chêne – Inovalée – 38240 MEYLAN (France)
Téléphone : (33) 4 76 62 34 96 – Télécopie : (33) 4 76 62 34 95 – Site Internet : www.cybersys.fr

SAS au capital de 275 600 € – R.C. 328 221 742 – Code NAF 322 A