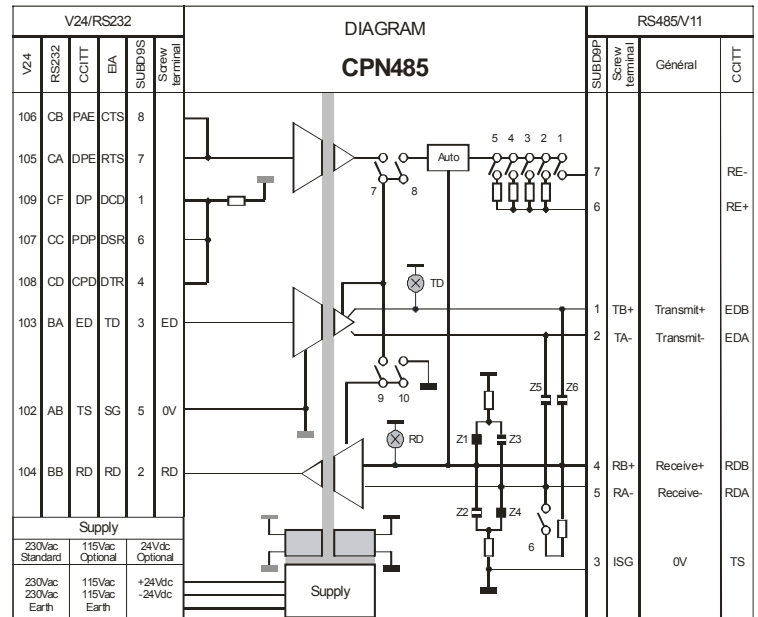


Interface conversion and insulation

RS232 to RS485 and RS422 on DIN rail



APPLICATIONS

- Multipoint network
- Interface Insulation
- Remote offset
- Interface adaptation

CONNECTIONS

- RS232 : screw terminals or SUB-D 9 female contacts
- RS485 : screw terminals or SUB-D 9 male contacts
- Power supply on screw terminals

RS485 OR RS422 INTERFACE

- Differential interface
- Connection RS485 on 2 or 4 wires
- Internal 120Ω impedance adaptation
- Line reception prepolarization
- Up to 32 RS485 stations
- RS485 length connection :
 - up to 5km (3,1miles) to 19,2 Kbauds in a light environment (attenuation max 12 dB)
 - up to 2,5km (1,5miles) at 19,2 Kbauds in a noisy environment (attenuation max 6 dB)
- Automatic RS485 transmitter validation or by the signal "request to send" :
 - Automatic reverse validation : by detection of "START" polarity on RS232 data reception. Driver invalidation on detection of "STOP" polarity during more than 1,5 time character. In this case the box must be configured according to the data rate
 - CTS reverse validation : when CTS is active, the transmitter is validated

RS232 INTERFACE

- Transmitted signals : transmit data and receive data (TD, RD)
- Connection SUB-D 9 pin idem PC
- Signal Request to send (RTS), looped on Clear to send (CTS)
- Signal DSR polarized to +V
- RS232 connection length : 15 to 20 m max

FEATURE

- Visualization TD, RD, supply
- Insulation RS232/RS485 : 1500Vrms
- Insulation : 500Vdc if power supply is 24Vdc
- Distortion ratio < 10 % at 19,2 Kbauds
- Rate : up to 115 kbauds
- Housing : plastic UL94V0 box for DIN rail
- Dimensions : 80 X 40 X 75 mm
- Weight : 260g
- Power supply : 230Vac +10, -15 %, 50/60 Hz
- Supply options : 110Vac or 24Vdc
- Power dissipation : 2VA
- Ambient temperature : -10°C to +55°C
- Storage temperature : -25°C to +70°C
- Humidity : 5 to 95 % without condensation

CHOICE - CONFIGURATION

- By switch in front face and internal
- RS485 transmitter validation (reverse) by Request to send or automatic
- On 2 wires connections type, natural local echo can be inhibited or not, by invalidation of the receiver during transmitter validation,
- Internal 120Ω impedance adaptation or not
- Rate choice 2400 to 19200 bauds in automatic validation mode
- Internal looping 4 to 2 wires
- Direct or invert prepolarisation

ORDERS REFERENCE

DIN rail case :

- CPN485 : 230Vac
- CPN485-110 : 110Vac
- CPN485-C : 24Vdc ±10%
- CPN485-B : Battery 18-36Vdc

OTHER REFERENCES

Table case :

- BC1485
- BC1485-C : 24Vdc ±10%

RCI014 rack cards :

- CC1485

DIN rail RS485 repeater :

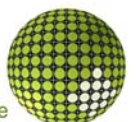
- RPN485

Our products can be modify and adaptable for a particular need

DO NOT HESITATE GIVE US YOUR NEEDS

CYBERSYS

La maîtrise de l'électronique
au service de l'informatique industrielle



35 chemin du Vieux Chêne – Inovalée – 38240 MEYLAN (France)
Téléphone : (33) 4 76 62 34 96 – Télécopie : (33) 4 76 62 34 95 – Site Internet : www.cybersys.fr

SAS au capital de 275 600 € – R.C. 328 221 742 – Code NAF 322 A