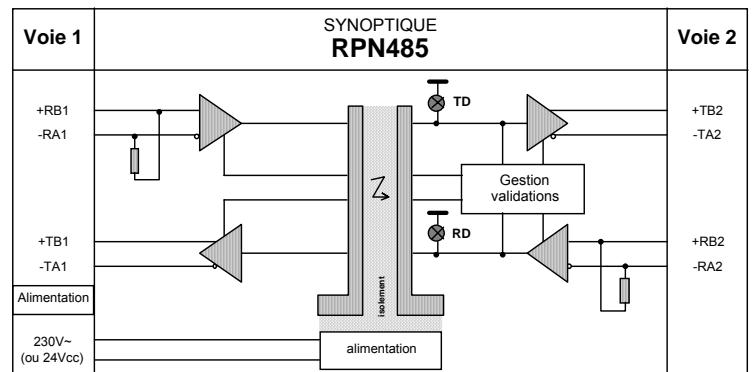
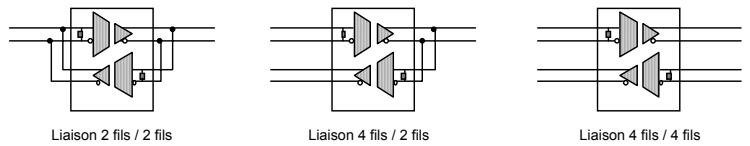


Conversion et isolement d'interface

RS485 repeater 2 and 4 wires on DIN rail



APPLICATIONS

- Bridge between RS485 2 wires and 4 wire
- Network extension up to 31 stations
- Parcelling and insulation noisy or too long network
- Star network topology

PARTICULARITIES

- Automatic RS485 transmitter validation
- 2 or 4 wires capability on each interface
- Automatic inhibition of the echo if 2 wires
- Built-in 120Ω impedance adaptation

CONNECTIONS

- RS485 : two 6 points screw terminal blocks
- Power supply : unpluggable 2 pts connector
- Section 2,5mm² , stripping 8mm

VISUALISATION

- T12 : transfer channel 1 towards channel 2
- T21 : transfer channel 2 towards channel 1
- ST : supply on

FEATURE

- Insulation between channel : 1500Veff
- Insulation : 500Vdc if supplying 24Vdc
- Rate : up to 2 Mbits/s
- Automatic inhibition of the echo if 2 wires
- Length connection RS485:
 - up to 5 km (3,1 miles) in a light environment (attenuation max 12 dB)
 - up to 2,5 km (1,5 miles) in a noisy environment (attenuation max 6 dB)
- Housing : plastic UL94V0 box for DIN rail
- Dimensions : 80 X 40 X 75 mm
- Weight : 250g
- Power supply : 230Vac +10%, -15% 50/60Hz
- Supply options : 110Vac or 24Vdc
- Ambient temperature : -10°C up to +55°C
- Temperature storage : -25°C up to +70°C
- Humidity : 5 to 95 % without condensation

CHOICE - CONFIGURATION

- By front face external switches:
 - Rate : 1,2 up to 128 Kbauds
 - RS485 channel 1 : 2 or 4 wires
 - RS485 channel 2 : 2 or 4 wires

ORDER REFERENCES

- RPN485 : 230Vca
- RPN485-110 : 110Vca
- RPN485-C : 24Vcc ±10%

OTHER REFERENCES

DIN rail case :

- CPN485 : RS232/RS485
- CPN021 : RS485/B.C.
- CPN041 : RS485/F.O.

Table case :

- BCI485 : RS232/RS485
- BCI021 : RS485/B.C.
- BCI041 : RS485/F.O.

RCI014 rack cards :

- CCI485 : RS232/RS485
- CCI021 : RS485/B.C.
- CCI041 : RS485/F.O.

Our products can be modify and adaptable for a particular need

**DO NOT HESITATE
GIVE US YOUR NEEDS**

CYBERSYS
La maîtrise de l'électronique
au service de l'informatique industrielle



35 chemin du Vieux Chêne – Inovalée – 38240 MEYLAN (France)
Téléphone : (33) 4 76 62 34 96 – Télécopie : (33) 4 76 62 34 95 – Site Internet : www.cybersys.fr

SAS au capital de 275 600 € – R.C. 328 221 742 – Code NAF 322 A